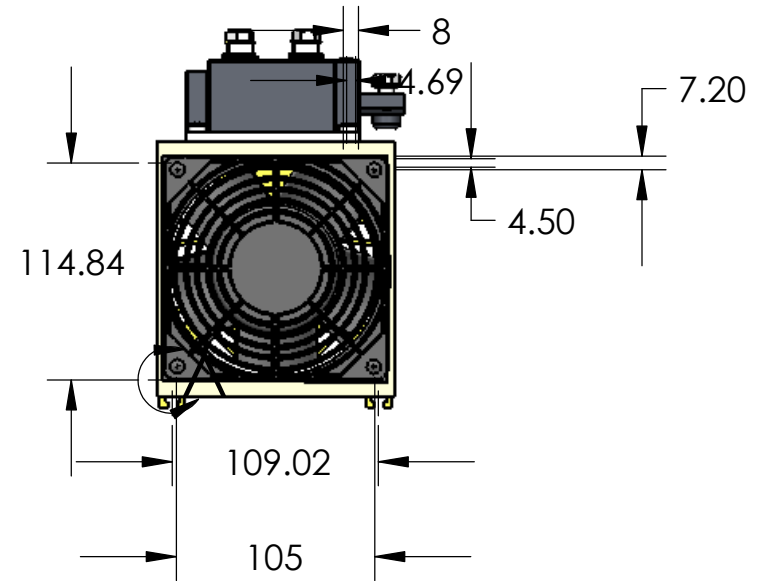
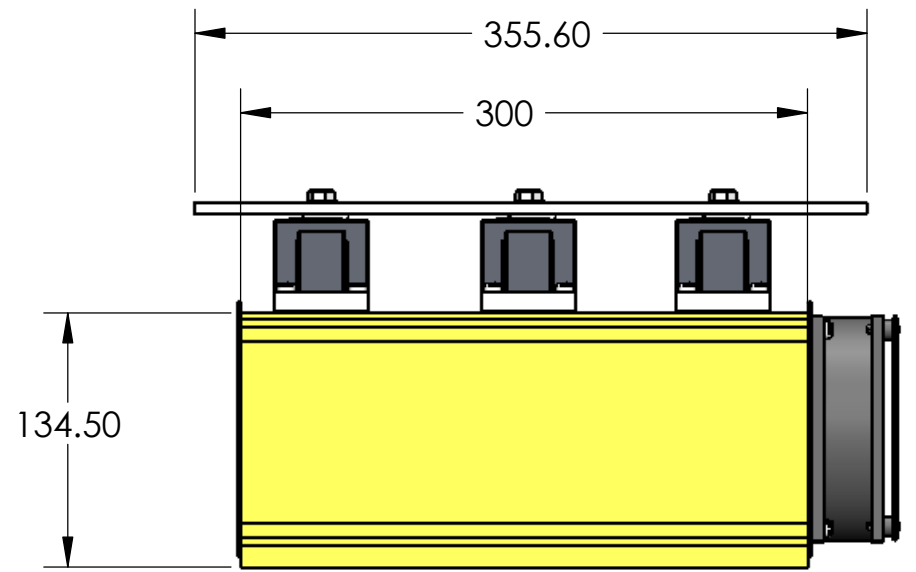
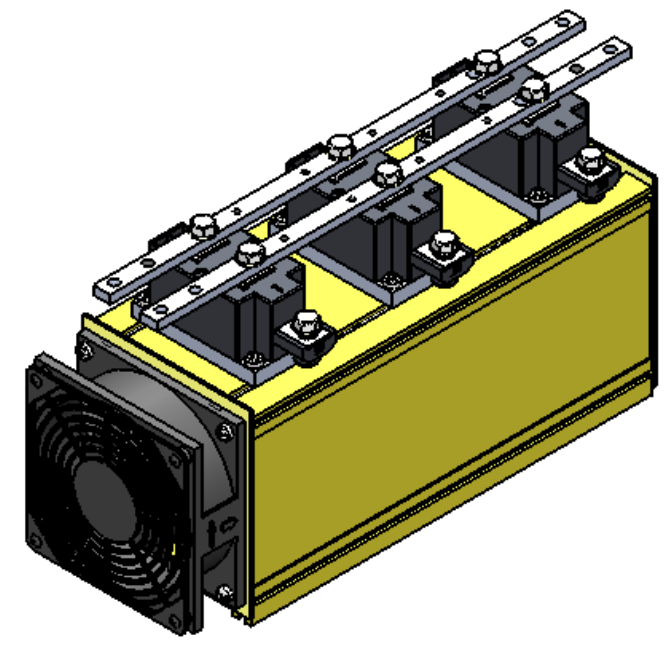
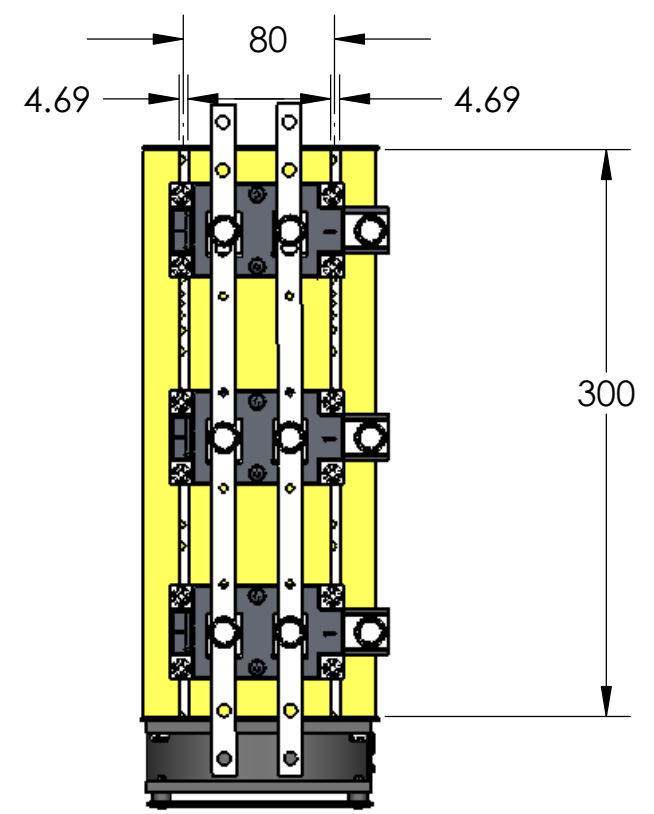
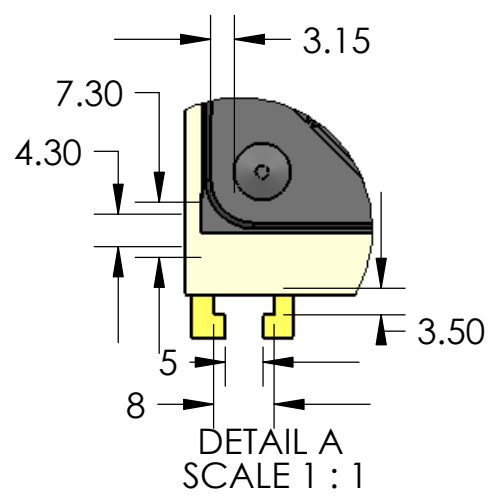


REV	NOTES
0	05/20/05



Heatsink RTheta: .83 degrees C/ Watt/3"

<p>THIRD ANGLE PROJECTION</p> <p>DRAWING COMPLIES WITH BS8888.</p> <p>AQL LEVEL = 1.5% RANDOM SAMPLES TAKEN TO BS6001 TABLE 2A.</p>	<p>GENERAL TOLERANCES U.O.S</p> <p>LINEAR:- MACHINING ±0.25mm (0.01") FABRICATION ±1.0mm (0.04")</p> <p>ANGULAR:- MACHINING ±0.25° FABRICATION ±0.5°</p> <p>ALL DIMENSIONS IN MILLIMETRES (INCH) U.O.S. SURFACE TEXTURE (Ra) IN MICROMETRES.</p>	<p>MATERIAL:</p>	<p>FINISH:</p>	<p>FOR FIXING ARRANGEMENTS SEE RB4100.</p>			<p>DRAWING No:</p> <p><b>FCHS300</b></p>
				<p>SCALE: 1:4</p>	<p>DRAWN:</p>	<p>CHKD:</p>	